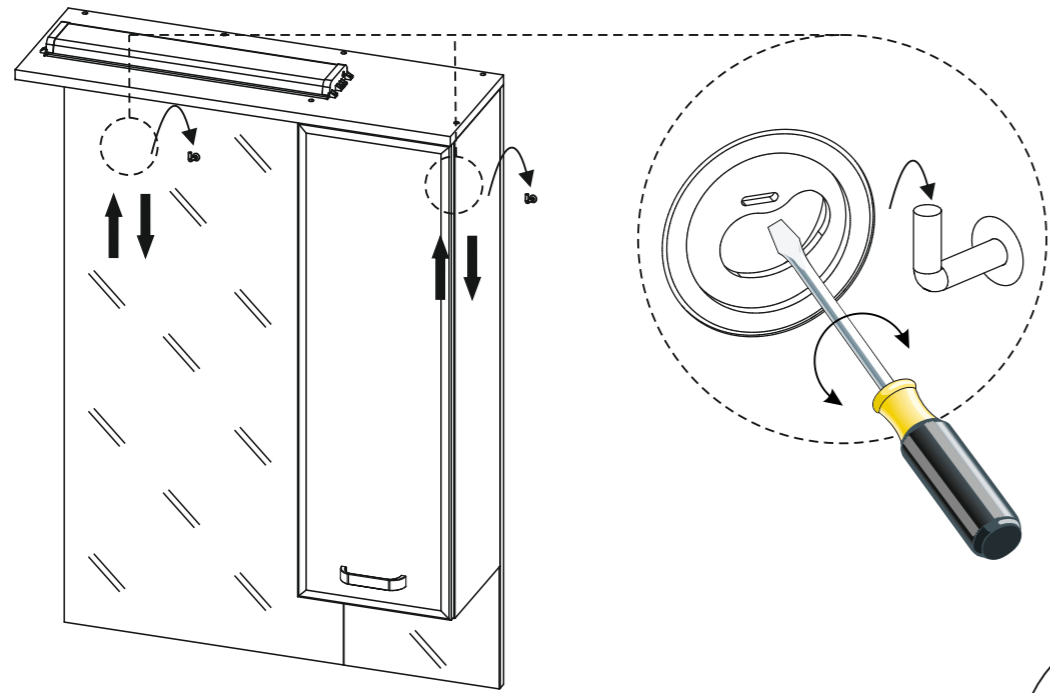
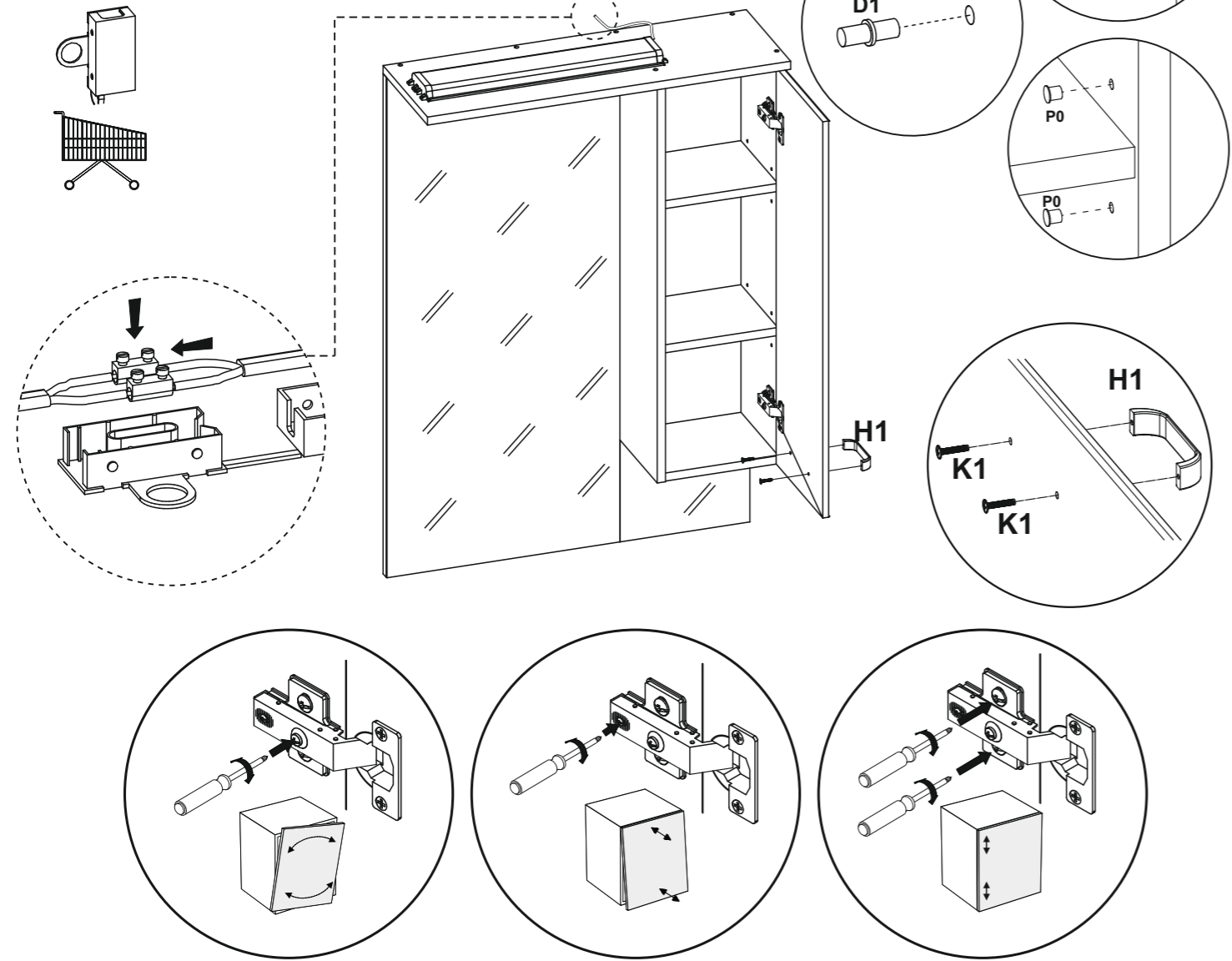


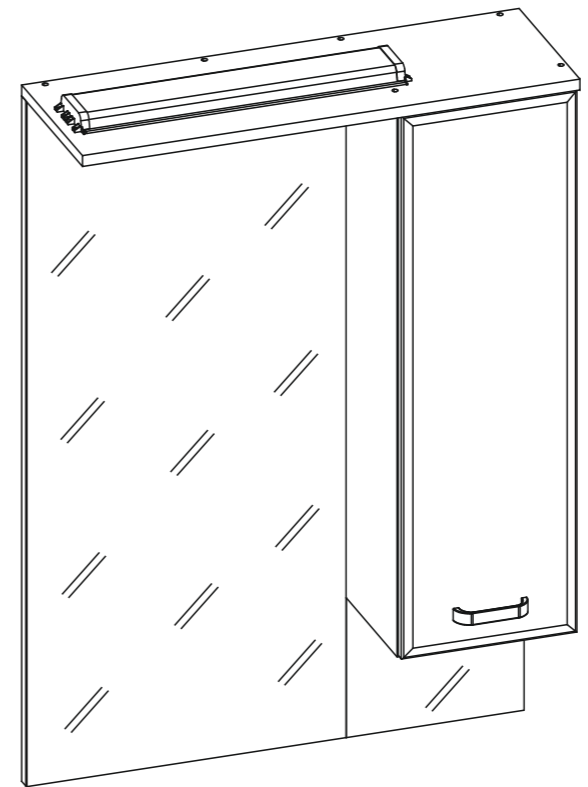
3



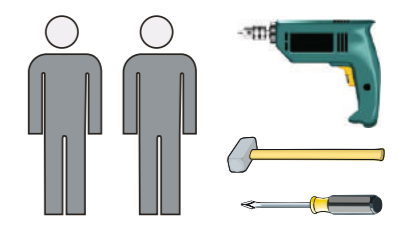
4



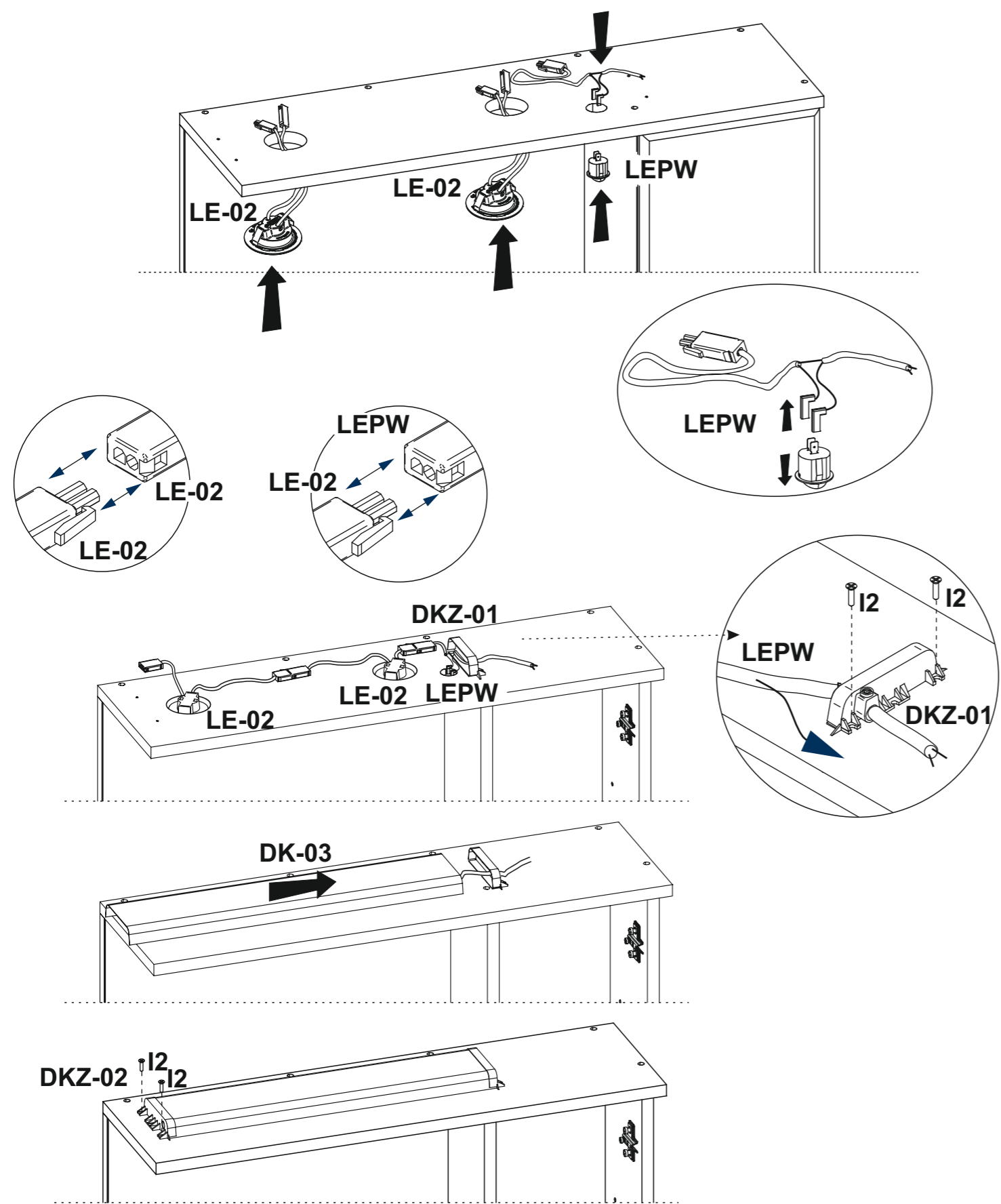
70 1D
80 1D



K1 x 2	H1 x 1	P0 x 16	D1 x 8 (x 4*)
LE-02 x 2	I2 x 4	LEPW x 1	
DK-03 x 1		DKZ-01 x 1	DKZ-02 x 1



1



2

